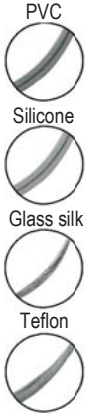


T handle temperature probe with cable at resistive element

SFPPT 50 / SFPPTD 50



Technical features

Operating temperature.....from -50°C to +400°C (PT100 and PT1000)
(according to cable) from -20°C to +120°C (NTC)
Accuracy *.....PT100 or PT1000 : see "Tolerances" table
NTC : see "Tolerances" table
Sensor type.....PT100 or PT1000 : class B, class A, 1/3 DIN
as per DIN IEC751
NTC : resistance at 25°C, R₂₅ = 10KΩ Nominal
Beta value B25/85 = 3,695K ±1%

Storage temperature.....from -20°C to +80°C

Operating temperature of cable.....

Shielded PVC : from -40°C to +120°C
Silicone : from -50°C to +180°C
Shielded Teflon (PFA) : from -50°C to +260°C
Silk glass with stainless steel braid : from -50°C to +400°C

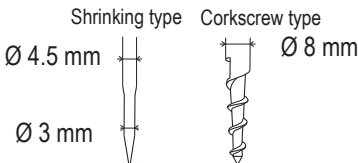
Mounting of cable outlet.....With shrinking type penetration end piece : unremovable PE output
With corkscrew type penetration end piece : detachable Jack output

Contact tip.....Ø 4.5 or 8 mm in stainless steel 316 L, choice of length
Sewing contact tip
corkscrew (to screw) : contact tip diameter 8 mm Ø only
Shrinking : contact tip Ø 4.5 mm and shrinking Ø 3 mm

Probe features

- Temperature probe à piquer mounted on T handle.
- Measuring ranges (according to cable):
from -50°C to +400°C (PT100 and PT1000).
from -20°C to +120°C (CTN).
- 2-wire output (SFPPT) or 4-wire output (SFPPTD) for NTC and PT1000
- 3-4 wire output (SFPPT) or 6-wire output (SFPPTD) for PT100.
- For other resistance types PT25, PT50, PT500, PT200 or NI, please contact us.

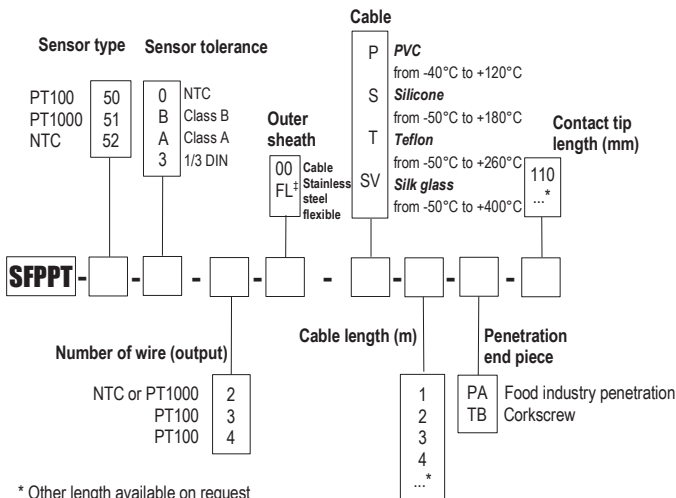
Penetration end piece



Part numbers

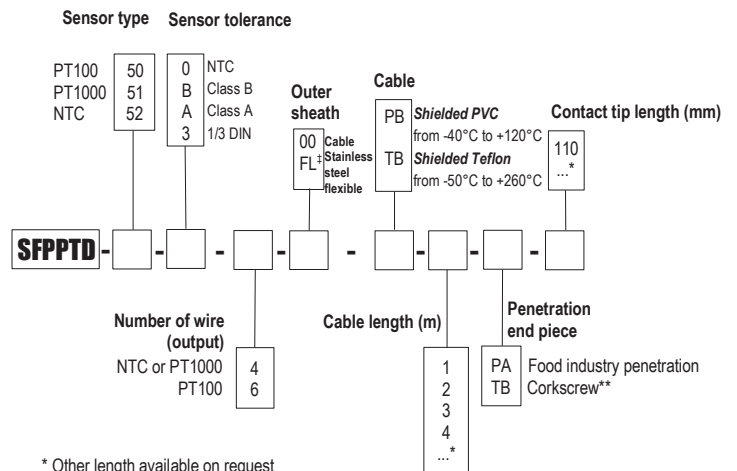
T handle probes are available with simple pair or multipair electrical assembly :

Single pair probe – Ref. SFPPT 50



* Other length available on request
‡ impossible for probe with corkscrew contact tip

Multipair probe – Ref. SFPPTD 50



* Other length available on request
‡ impossible for probe with corkscrew contact tip
**No Jack plug output

Example : SFPPT50-B-3-00-P-2-PA-110

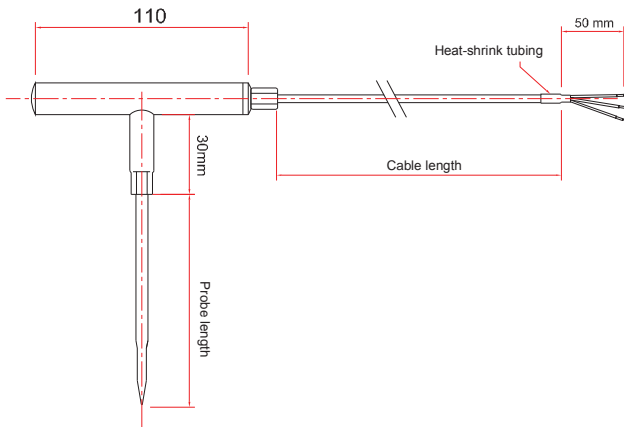
Model : PT100 temperature probe, Class B, 3 wires, outer sheath in PVC cable of length 2 m. Stainless steel contact tip 4,5 mm Ø for food industry penetration of length 110 mm with shrinking type penetration end piece. Measuring range from -40 to +120°C.

Example : SFPPTD50-A-6-00-TB-2-PA-110

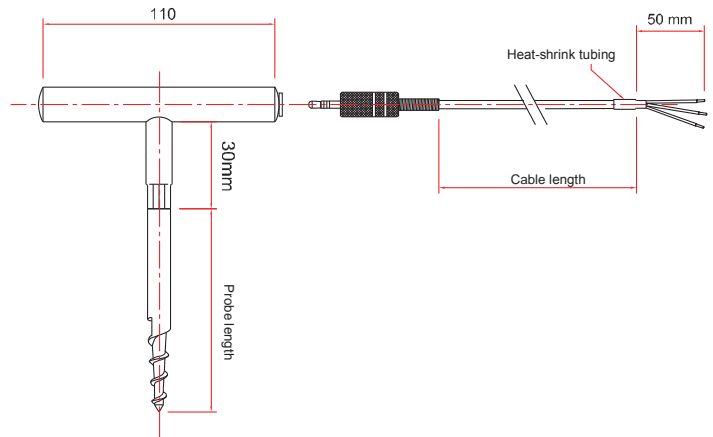
Model : PT100 temperature probe, Class A, multipair assembly 6 wires, outer sheath in shielded Teflon cable of length 2m. Stainless steel contact tip 4,5 mm Ø for food industry penetration of length 110 mm with shrinking type penetration end piece. Measuring range from -50 to +260°C.

■ Dimensions probes

• Probe with smooth contact tip



• Probe with corkscrew contact tip



■ Tolerance* of PT100 and PT1000 probes.

As per IEC 751 (1993), BS 1904 (1984) and DIN 43760 (1980) norms.

Temp °C	Tolerances					
	Class B		Class A		1/3 DIN	
	± °C	± Ohms	± °C	± Ohms	± °C	± Ohms
-100	0,8	0,32	0,35	0,14	0,27	0,11
-50	0,55	0,22	0,25	0,1	0,19	0,08
0	0,3	0,12	0,15	0,06	0,1	0,04
100	0,8	0,3	0,35	0,13	0,27	0,1
200	1,3	0,48	0,55	0,2	0,44	0,16
300	1,8	0,64	0,75	0,27	0,6	0,21
400	2,3	0,79	0,95	0,33	0,77	0,26

Resistance values for PT1000 (Ω) must be multiplied by 10 for the same corresponding temperature
 i.e : at 0°C for PT1000 Class B $\pm 0,3^\circ\text{C} \rightarrow \pm 1,2 \Omega$

■ Tolerances* of NTC probes

Measuring range °C	Tolerances °C
From -20°C to 0°C	$\pm 0,5^\circ\text{C}$
From 0°C to +70°C	$\pm 0,2^\circ\text{C}$
From +70°C to +100°C	$\pm 0,5^\circ\text{C}$

* Performed in laboratory conditions, the above accuracies mentioned in this document will be guaranteed, provided that you use the calibration compensation data or identical calibration conditions.

■ Accessories (See data sheet)

- DIN Rail transmitter output 4/20 mA or 0/10V
- Calibration certificate

www.kimo.fr

EXPORT DEPARTMENT

Tel : + 33. 1. 60. 06. 69. 25 - Fax : + 33. 1. 60. 06. 69. 29

e-mail : export@kimo.fr



Distributed by :

PRC Technologies Corp., Ltd.

Tel: 02 530 1714, 02 530 1619, 02 530 1621

Fax: 02 530 1731

Email: info@prctechth.com, www.prctechth.com