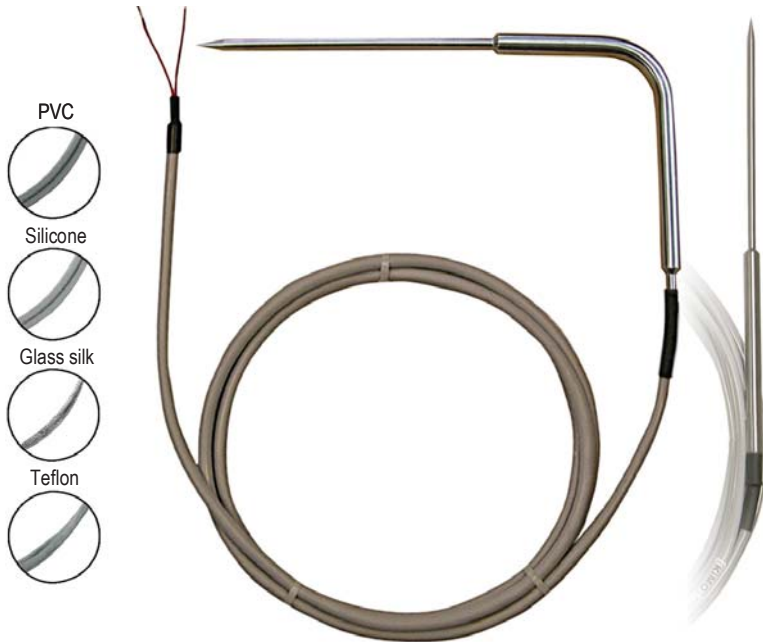


*Temperature probe with needle ended tip  
at resistive element*



**Type SFPP 50**

**SFPP 50 - SFPPD 50 /  
SFPPC 50 - SFPPCD 50**

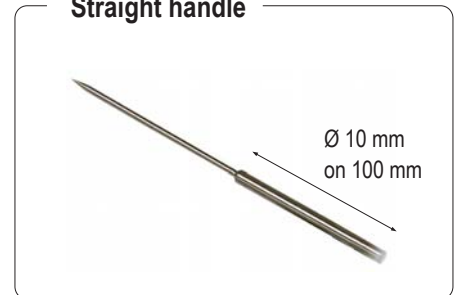
■ **Probe features**

- Penetration temperature probe mounted on straight or angled handle.
- Measuring range (according to cable) :  
 from **-50°C to +400°C (PT100 et PT1000)**.  
 from **-20°C to +120°C (NTC)**.
- **2 wires output (SFPP, SFPPC) or  
4 wires output (SFPPD, SFPPCD) for NTC and PT1000**
- **3 - 4 wires output (SFPP, SFPPC) or  
6 wires output (SFPPD, SFPPCD) for PT100.**
- For other resistance types PT25, PT50, PT500, PT200 or NI, please contact us.

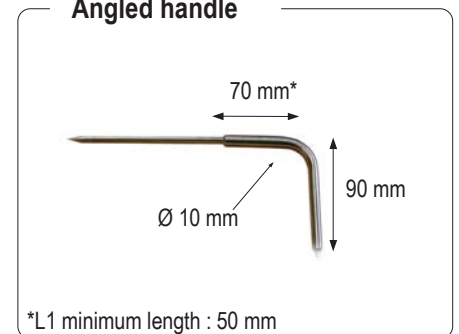
■ **Transmitter features**

<b>Working temperature</b> .....	from -50°C to +400°C (PT100 and PT1000)
<b>(According to cable)</b>	from -20°C and +120°C (NTC)
<b>Accuracy *</b> .....	<b>PT100 or PT1000</b> : see "Tolerances" table
	<b>NTC</b> : see "Tolerances" table
<b>Sensor type</b> .....	<b>PT100 or PT1000</b> : class B, class A, 1/3 DIN
	as per DIN IEC751
	<b>NTC</b> : resistance at 25°C, $R_{25} = 10K\Omega$ Nominal
	Beta value B25/85 = 3,695K ±1%
<b>Storage temperature</b> .....	from -20°C to +80°C
<b>Working temperature of the cable</b> .....	<b>Shielded PVC</b> : from -40°C to +120°C
	<b>Silicone</b> : from -50°C to +180°C
	<b>Shielded Teflon (PFA)</b> : from -50°C to +260°C
	<b>Glass silk with stainless steel sheet</b> : from -50°C to +400°C
<b>Mounting of output cable</b> .....	Cable or stainless steel flexible 7 mm Ø output.
	Waterproof flexible optional on demand
	Curve spring optional (except stainless steel flexible output)
<b>Contact tip</b> .....	4.5 or 6 mm Ø in 316 L stainless steel
	Needle ended tip
	Handle : <b>Straight</b> 10 mm Ø length 100 mm
	<b>Angled at 90°</b> length 90 mm
	Other on request.

**Straight handle**



**Angled handle**



**Tightness is optional for use in wet or submerged places**



# SFPPC 50 & SFPPCD 50

Angled handle tapping probe with cable  
in simple pair or multipair assembly

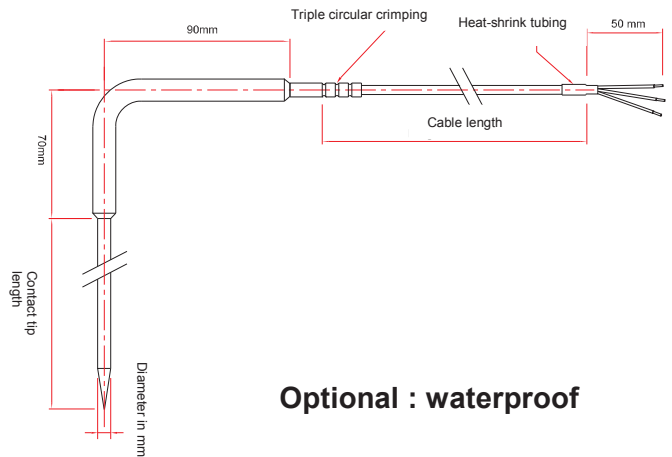
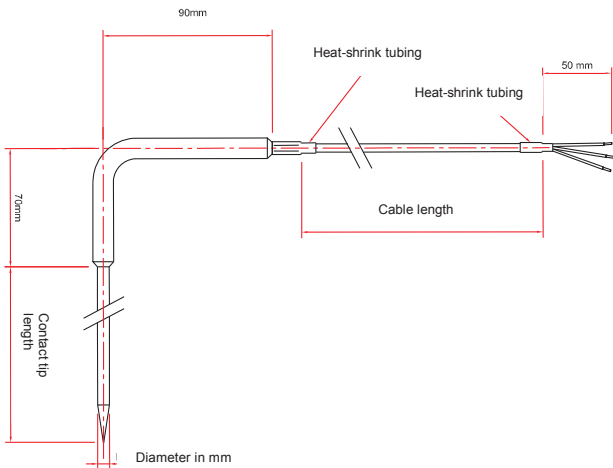
Angled handle probe on cable



Angled handle probe on flexible



## Dimensions probe

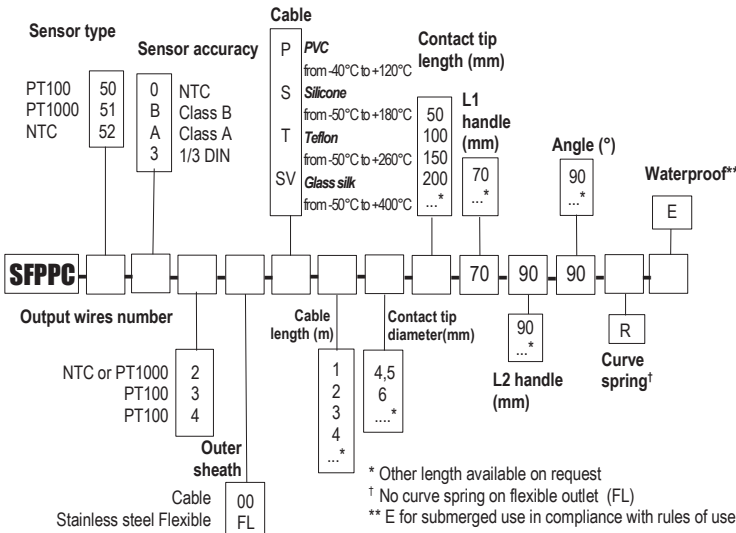


Optional : waterproof

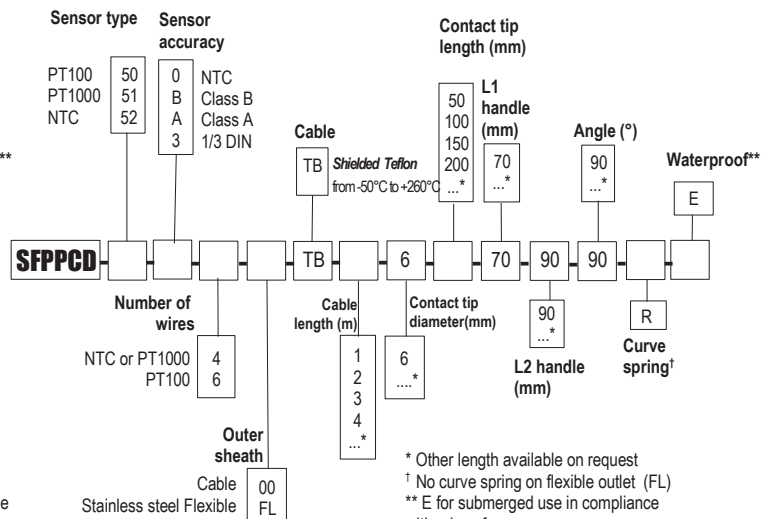
## Part numbers

Angled handle probes are available with simple pair or multipair electrical assembly :

### Single pair probe – Ref. SFPPC 50



### Multipair Probe – Ref. SFPPCD 50



Example : SFPPC51-B-2-00-P-1-45-100-70-90-90

Model : PT1000 temperature probe Class B, 2 wires, outer sheath in PVC cable of 1m length . Stainless steel contact tip Ø 4,5 mm tapping with angled handle, L1 length 70mm and L2 length 90 mm, angled handle of 90°, without curve spring. Measuring range from -40 to +120°C.

Example : SFPPCD51-B-4-00-TB-1-6-100-70-90-90

Model : PT1000 temperature probe, Class B, 4 wires, outer sheath in cable shielded Teflon of 1m length . Stainless steel contact tip Ø 6 mm tapping with angled handle of L1 length of 70mm and L2 length of 90 mm, angled handle of 90°, without curve spring. Measuring range from -50 to +260°C.

## ■ Tolerance of PT100 and PT1000 probes.

Norm as per IEC 751 (1993).

Temp °C	Tolerances					
	Class B		Class A		1/3 DIN	
	± °C	± Ohms	± °C	± Ohms	± °C	± Ohms
-100	0,8	0,32	0,35	0,14	0,27	0,11
-50	0,55	0,22	0,25	0,1	0,19	0,08
0	0,3	0,12	0,15	0,06	0,1	0,04
100	0,8	0,3	0,35	0,13	0,27	0,1
200	1,3	0,48	0,55	0,2	0,44	0,16
300	1,8	0,64	0,75	0,27	0,6	0,21
400	2,3	0,79	0,95	0,33	0,77	0,26

\*all accuracies indicated in this technical data sheet were stated in laboratory conditions, and can be guaranteed for measurements carried out in the same conditions, or carried out with calibration compensation.

## ■ Tolerances of NTC probes

Measuring range °C	Tolerances °C
From -20°C to 0°C	± 0,5°C
From 0°C to +70°C	± 0,2 °C
From +70°C to +100°C	± 0,5 °C

## ■ Accessories (See data sheet)

- Transmitter output 4/20 mA or 0/10V
- Wall fixing support
- Stainless steel mounting brackets
- 1/4 " or 1/2" Gas screw nut
- Compression fitting
- Teflon or stainless steel ferrule for compression fittings
- Raccord de fixation alimentaire
- Stainless steel union fitting
- ½" Gas or NPT thread cuff
- Thermo-conducting silicone grease
- Calibration certificate
- Thermowell



[www.kimo.fr](http://www.kimo.fr)



**EXPORT DEPARTMENT**

Tel : + 33. 1. 60. 06. 69. 25 - Fax : + 33. 1. 60. 06. 69. 29

e-mail : [export@kimo.fr](mailto:export@kimo.fr)

Distributed by :

**PRC Technologies Corp., Ltd.**

Tel: 02 530 1714, 02 530 1619, 02 530 1621

Fax: 02 530 1731

Email: [info@prctechth.com](mailto:info@prctechth.com), [www.prctechth.com](http://www.prctechth.com)