



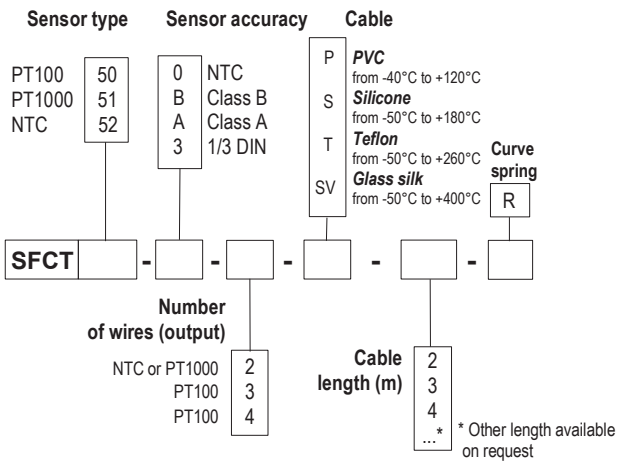
Temperature probe with cable for pipe

SFCT50 / SFCTD50

- Temperature probe with contact tip for pipe (all diameter).
- Measuring range (according to cable)
 - from **-50°C to +400°C** (PT100 and PT1000).
 - from **-20°C to +120°C** (NTC).
- 2 wires for NTC and PT1000 outputs, 3 or 4 wires for PT100 output.
- For other resistance types PT25, PT50, PT500, PT200 or NI, please contact us.

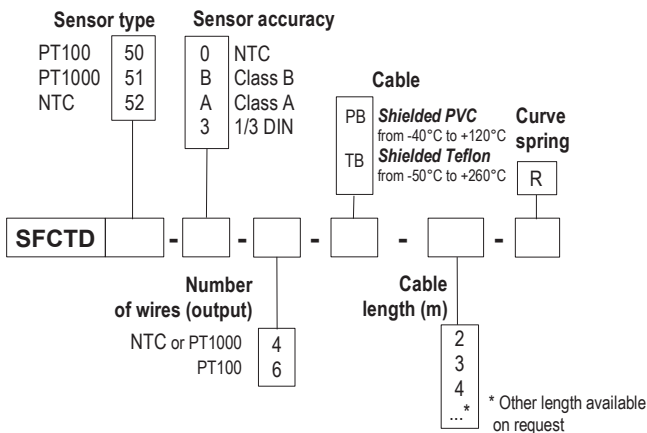
Part numbers

• SFCT – Single pair probe -



Example : SFCT50-B-3-P-4
Model : Pt 100 temperature probe, Class B, 3 wires, PVC cable of 4 m length without curve spring. **Measuring range from -40 to +120°C.**

• SFCTD – Multipair Probe -



Example : SFCTD50-B-6-PB-4
Model : Pt 100 temperature probe, Class B, 6 wires, PVC cable of 4 m length without curve spring. **Measuring range from -40 to +120°C.**

Transmitter features

Operating temperature.....for SFCT type
(According to cable) from -50°C to +400°C (PT100 and PT1000)
 from -20°C to +120°C (NTC)

for SFCTD type
 from -50°C to +250°C (PT100 and PT1000)
 from -20°C to +120°C (NTC)

Accuracy*.....PT100 or PT1000 : see "Tolerances" table
 NTC : see "Tolerances" table

Sensor type ype of sensor.....PT100 or PT1000 : Class B, Class A and 1/3 DIN as per DIN IEC751
 NTC : resistance at 25°C, $R_{25} = 10K\Omega$ Nominal
 Beta value B25/85 = 3.695K ±1%

Wire mounting.....single pair 2, 3 or 4 wires

multipair 4 or 6 wires



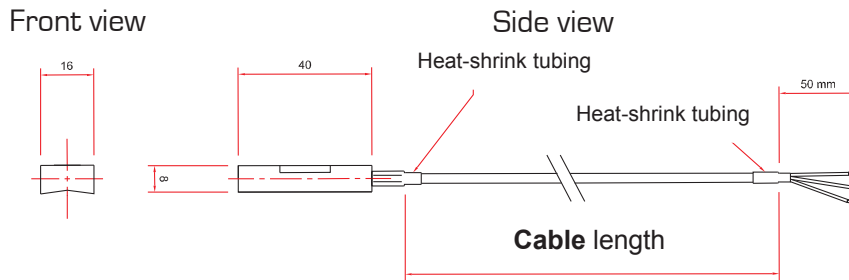
Storage temperature.....from -20°C to +80°C

Contact tip.....40 x 16 x 8,5 mm
 V shape
 screw fastener
 made of AU4G (aluminium)

Connection.....supplied with stainless steel adjustable ring for DN 100. Other adjustable ring available on request

Operating temperature of cable.
 PVC : from -40°C to +120°C
 Silicone : from -50°C to +180°C
 Teflon (PFA) : from -50°C to +260°C
 Glass silk with stainless steel sheet : from -50°C to +400°C

■ Probes dimensions



■ Tolerance* of PT100 and PT1000 probes.

Norms as per IEC 751 (1993), BS 1904 (1984) and DIN 43760 (1980).

Temp °C	Tolerances					
	Class B		Class A		1/3 DIN	
	± °C	± Ohms	± °C	± Ohms	± °C	± Ohms
-100	0,8	0,32	0,35	0,14	0,27	0,11
-50	0,55	0,22	0,25	0,1	0,19	0,08
0	0,3	0,12	0,15	0,06	0,1	0,04
100	0,8	0,3	0,35	0,13	0,27	0,1
200	1,3	0,48	0,55	0,2	0,44	0,16
300	1,8	0,64	0,75	0,27	0,6	0,21
400	2,3	0,79	0,95	0,33	0,77	0,26

*Resistance values for PT1000 (Ω) must be multiplied by 10 for the same corresponding temperature value (°C). I.e : at 0°C for Class B PT1000 ± 0.3°C → ± 1.2 Ω

■ Tolerances* of NTC probes

Measuring range °C	Tolerances °C
from -20°C to 0°C	± 0.5°C
from 0°C to +70°C	± 0.2 °C
from +70°C to +100°C	± 0.5 °C

■ Accessories (See related datasheet)

- Transmitter output 4/20 mA or 0/10V
- Wall mounting support
- Stainless steel mounting brackets
- ¼" or ½" Gas screw nut
- Stainless steel compression fitting
- Teflon or stainless steel ferrule for compression fittings



- Sleeve to weld for food industry
- Stainless steel junction fitting
- ½" Gas or NPT thread cuff
- Thermo-conducting silicone grease
- Calibration certificate
- Thermowell



www.kimo.fr

EXPORT DEPARTMENT

Tel : + 33. 1. 60. 06. 69. 25 - Fax : + 33. 1. 60. 06. 69. 29

e-mail : export@kimo.fr



Distributed by :

PRC Technologies Corp., Ltd.

Tel: 02 530 1714, 02 530 1619, 02 530 1621

Fax: 02 530 1731

Email: info@prctechth.com, www.prctechth.com